

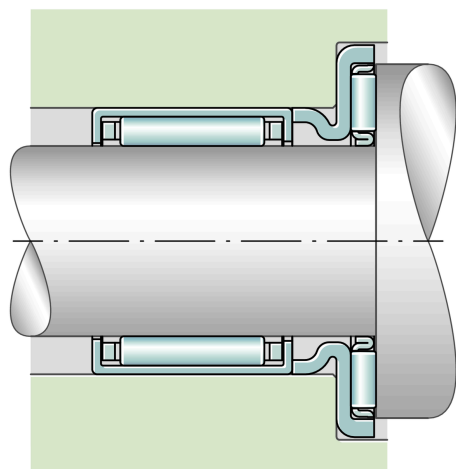
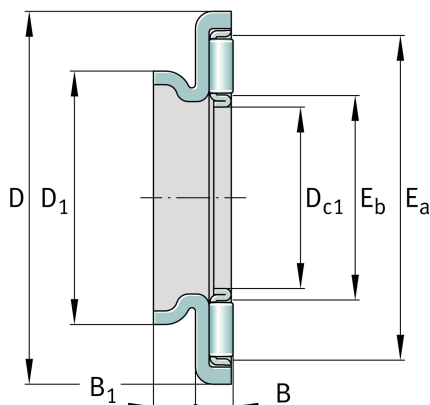
## AXW17

Axial needle roller bearing

Schaeffler ID:  
0001616320000

Axial needle roller bearings, single  
direction, AXK with axial bearing washer

### Technical information



### Main Dimensions & Performance Data

$D_{c1}$	17 mm	Bore diameter cage
$D$	33 mm	Outside diameter bearing washer
$B$	3.2 mm	Height bearing
$B_1$	3.5 mm	Height centering collar
$D_1$	23 mm	Outside diameter centering collar
$E_a$	29 mm	Raceway dimension
$E_b$	19 mm	Raceway dimension
$C$	12,000 N	Basic dynamic load rating, axial
$C_{0a}$	39,500 N	Basic static load rating, axial
$c_{ua}$	4,000 N	Fatigue load limit, axial
$n_G$	12,300 1/min	Limiting speed
$n_{gr}$	5,800 1/min	Reference speed
	11.54 g	Weight

### Additional information

AS1730	Axial bearing washer
HK1712	Drawn cup needle roller bearings for radial bearing arrangement
NK15/16	Needle roller bearings with out inner ring
NK15/20	Needle roller bearings with out inner ring

